

**PSS Smart toilets**



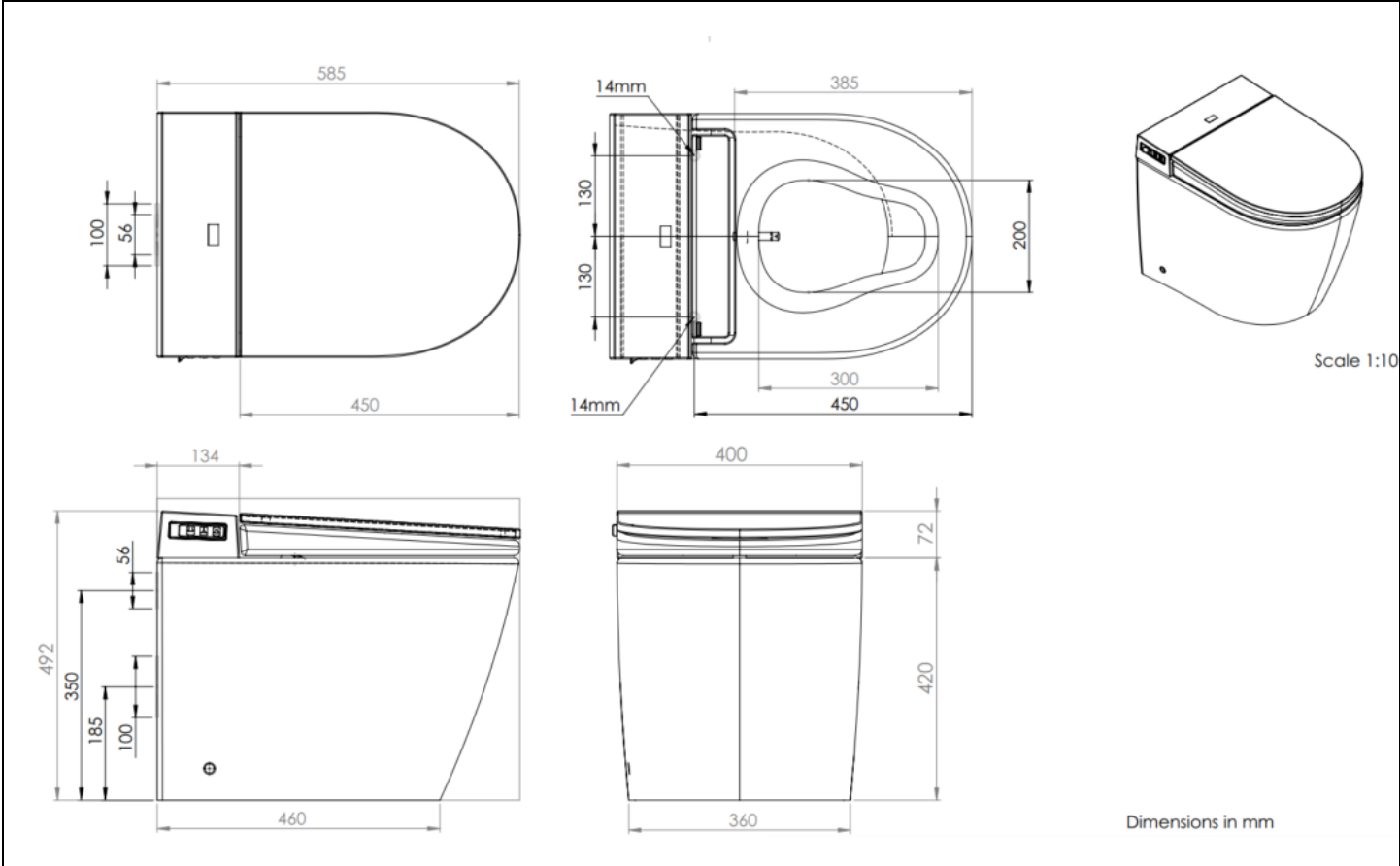
**SECTION A – PRODUCT IDENTIFICATION**

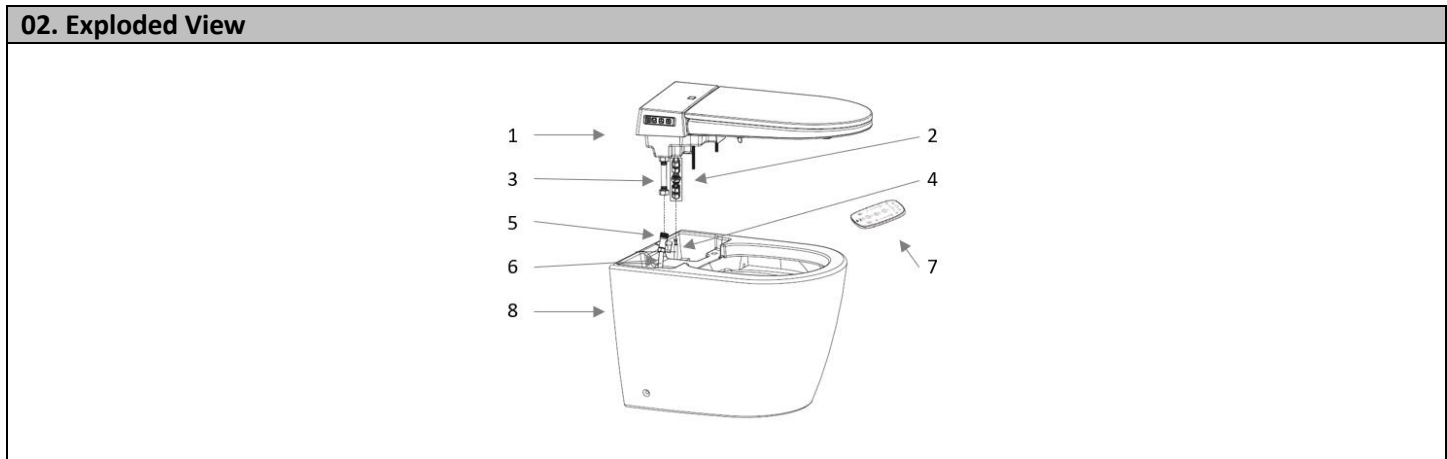
<b>01. GPC SKU</b>	20005991
<b>02. Brand</b>	ForU
<b>03. Customer</b>	GPC
<b>04. Customer SKU</b>	
<b>05. Product Family</b>	Toilets
<b>06. Market</b>	DIY
<b>08. Range</b>	ForU
<b>09. Series</b>	AVA04
<b>10. Description</b>	Smart Toilet, Floor Mounted, Back To Wall, White, With Remote Control Unit (Dimensions 585 X 400 X 492)
<b>11. Supplier</b>	GPC167
<b>12. Supplier SKU</b>	T4



**SECTION B – TECHNICAL ILLUSTRATIONS**

**01. Technical Drawing**





**SECTION C – CUSTOMIZATION**

01. Logo Type	02. Logo Position
N/A	N/A

**SECTION D – BILL OF MATERIALS (BOM)**

Item #	Description	Dimensions (mm)	Material	Finish	Quantity
1.	Seat module	585x400x72	PP	White	1
2.	Power wire seat module				1
3.	Water hose seat module				1
4.	Power wire				1
5.	Ball valve				
6.	Outlet water hose				
7.	Remote + (remote) holder	150x70	ABS	White	1
8.	Toilet pan, rimless, P-trap	585x400x420	Ceramic	White	1

**INCLUDED CONTENTS**

Floorstanding toilet including smart seat X 1	ABS + PC remote control x 1, and remote control fixing bracket.	3M tape for remote control fixing bracket mounting
Fixation screws (x2), screw plugs (x2) for remote control fixing bracket mount and Fixation screws bottom ceramic (2x).	AAA batteries x2 for remote control	Brass nickel plated ball valve x 1 (G1/2M *G1/2M)
G1/2F X G1/2F 90°x 660mm inlet flexible hose x 1	Nozzle for replacement x 1	Noise reducer foam for wall hung x 1
Caps for seat mounting holes X 2	Inlet flexible hose x 1 (G1/2F *G1/2F *30CM), already connected to smart toilet.	Instruction manual and certificate of qualification (CN version).

**SECTION E – SPARE PARTS**

SKU	Description	BOM Item Numbers	Packaging Details
N/A	N/A	N/A	N/A

**SECTION F – PRODUCT VARIATIONS**

SKU	Description		
N/A	N/A	N/A	N/A

**SECTION G – LOGISTICAL INFORMATION**

01. Barcode	5350443101822
02. Packaging Details	Brown cardboard carton. Incorporating coloured sleeve.

	Coloured Sleeve paper 300gsm				
03. Gross Weight (kg)	36				
04. Net Weight (kg)	32				
05. Master Carton Dimensions (mm)	680	x	510	x	610
06. Overall Product Dimensions (mm)	585	x	400	x	492
07. Retail Packaging Dimensions (mm)	n/a	x	n/a	x	n/a
08. Main Product Material / TARIC Code	6910100000				
09. Main Product Finish/Colour	Ceramic + PP				
<b>Pallet Loading</b>					
10. Pallet Size (mm)	1030 x 690 x 1989		15. Container Size (mm)	40ft	
11. Master Cartons per Pallet	6		16. Quantity per Container	204	
12. TI (boxes/layer)	2				
13. HI (layers/pallet)	3				
14. Packages in Master Carton	n/a				

SECTION H – CUSTOM LOADING CONDITIONS AND PACKAGING REQUIREMENTS	
01. Nylon Strapping	
02. Steel Strapping	
03. Corner Protection	
04. Shrink Wrapping	
05. Flat Plywood Sheet(s)	

SECTION I – RETAIL PACKAGING ARTWORK

SECTION J – INCLUDED IN THE PACKAGING	
01. Installation Manual	Yes
02. Warranty Card	Yes
03. Installation Material	Yes
04. Product Care	No

SECTION K – REFERENCE DOCUMENTS	
01. Delivery Conditions	n/a
02. General Specifications	n/a
03. Custom Specifications	n/a
04. Test Report	n/a

SECTION L – CERTIFICATION	
EN1717	<input checked="" type="checkbox"/>
EN13077	<input checked="" type="checkbox"/>
Belgaqua	<input type="checkbox"/>
EN997	<input checked="" type="checkbox"/>
EN/IEC 60335-2-84:2002+A1+A2	<input checked="" type="checkbox"/>
EN60335-1:2012+A11+A12	<input checked="" type="checkbox"/>
Low Voltage Directive	<input checked="" type="checkbox"/>
EN55014-1:2006+A1+A2	<input checked="" type="checkbox"/>
EN61000-3-2:2014	<input checked="" type="checkbox"/>
EN55014-2:1997+A1+A2	<input checked="" type="checkbox"/>
ROHS	<input checked="" type="checkbox"/>
EN62479:2010	<input checked="" type="checkbox"/>
EN301489-1 V 2.2.0:2017	<input checked="" type="checkbox"/>
EN301489-17 V3.2.0:2017	<input checked="" type="checkbox"/>

SECTION M – SUPPLEMENTARY INFORMATION AND TECHNICAL DETAILS	
Electrical Plug	Type E
Rated power	220V~ 50Hz
Effluent-water temperature range	About 35°C~42°C
Drying temperature control	About 32°C~57°C
Surface temperature	Room temperature ~42°C
Deodorizer	Active carbon deodorising
Soft-close control for seat cover	Slow dropping mechanism
Cleaning water consumption	6.0L/4.0L
Flushing method	Washdown
Rated power	980W
Temperature of supplied water	4°C~35°C
Waterproofing grade	IPX4
Pressure of supplied water	0.07MPa (Dynamic pressure) ~0.75MPa (Static pressure)
Maximum power	1600W
Ambient temperature	3°C~40°C

#### SECTION N – REVISION DETAILS

<b>Revision Number</b>	<b>Revision Description</b>	<b>Author Initials</b>	<b>Date</b>
1.0	Creation	RS	16-Sep-2020
1.1	update	MZ	08-Oct-2020