














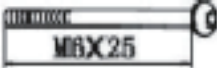
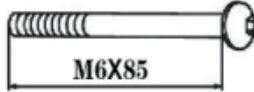



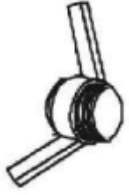



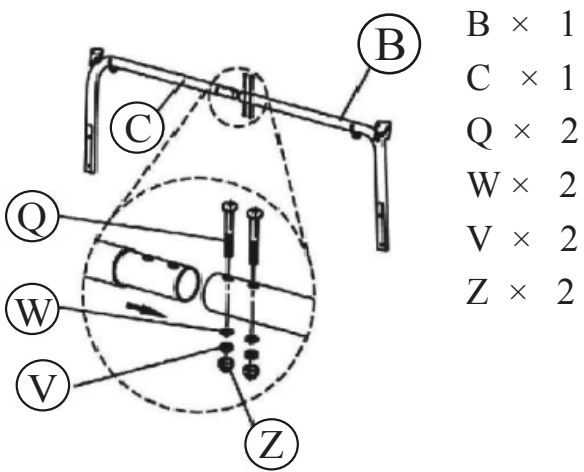
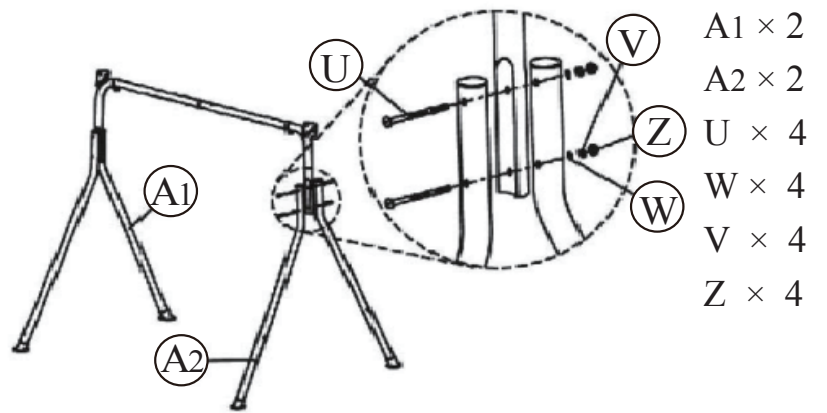

A ₁ 2	A ₂ 2	B 1	C 1
			
D 2	E 1	F 1	G 4
			
I 2	J 1	K 2	L 2
			
M 1	N 1	P 2	Q 6
			
R 4	R ₁ 2	S 4	T 3

 M6X85		 M6		 M6			
U	4	V	23	W	23	Y	2
		 M6					
Y1	2	Z	23	Z1	1	Z2	1

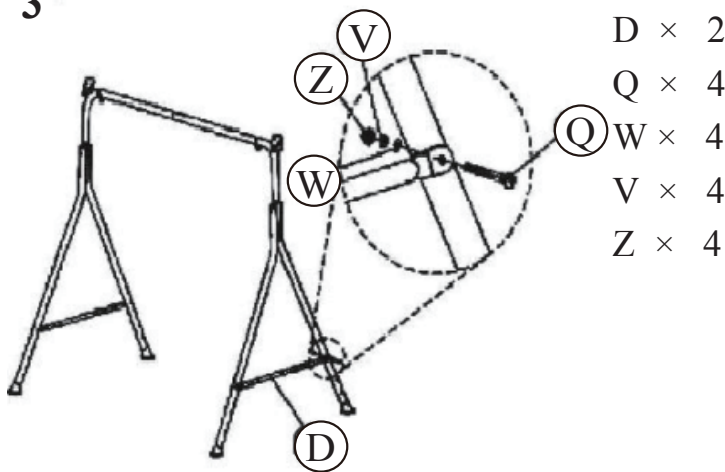
1



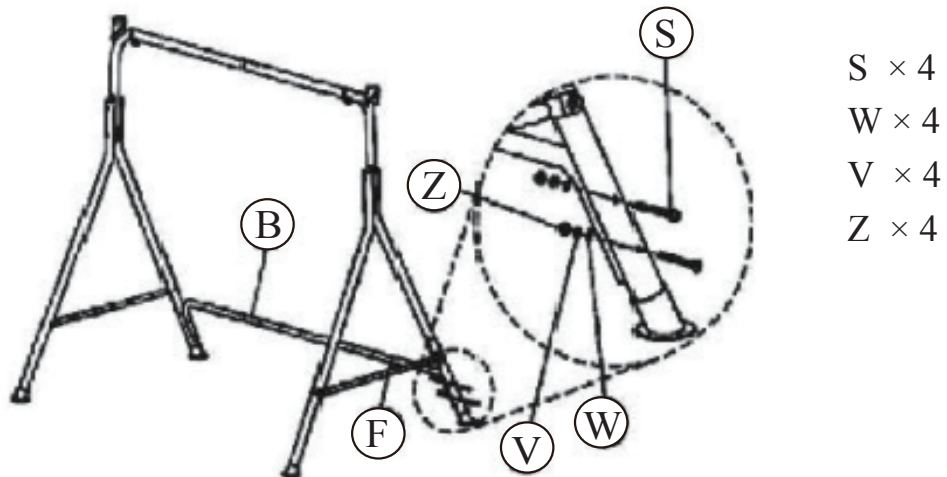
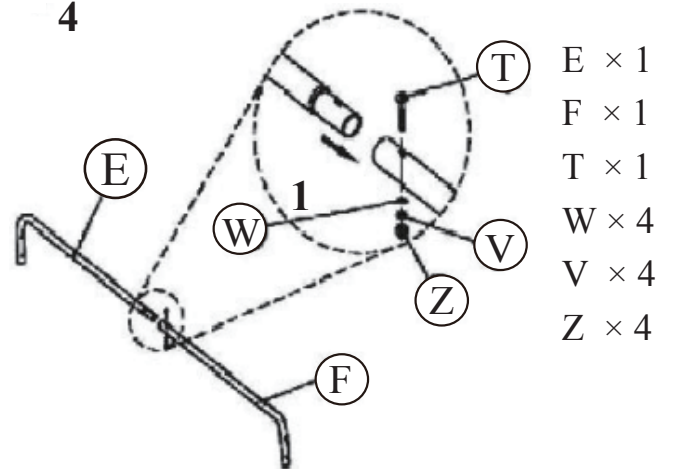
2



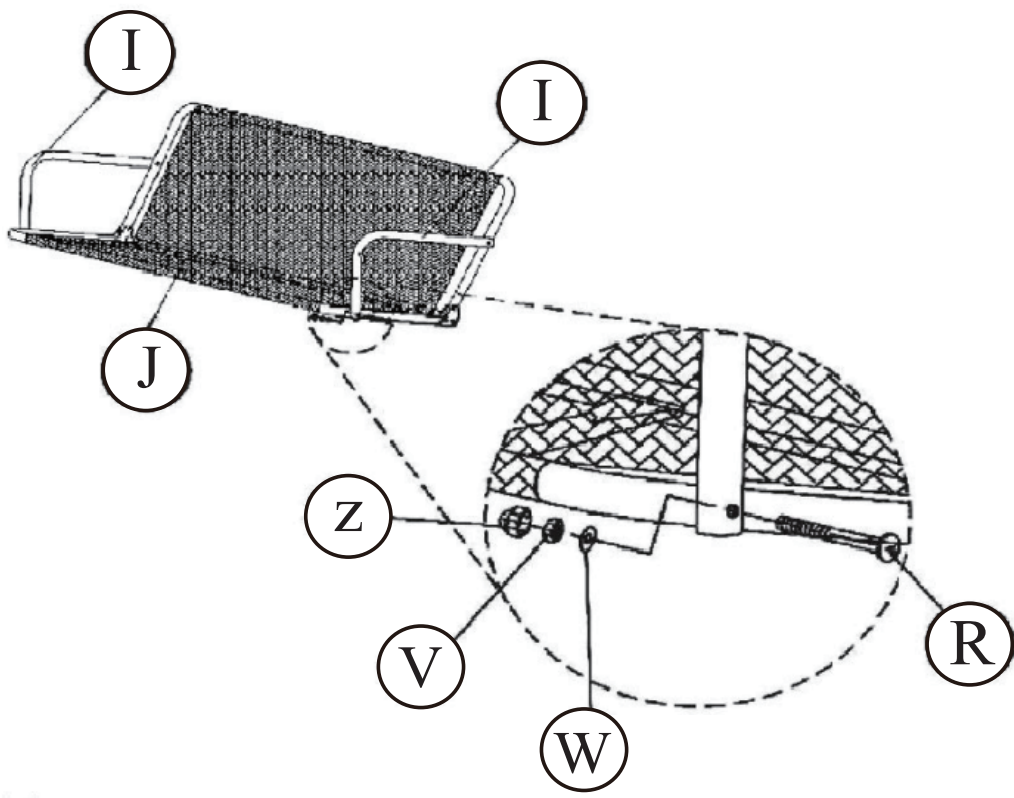
3



4

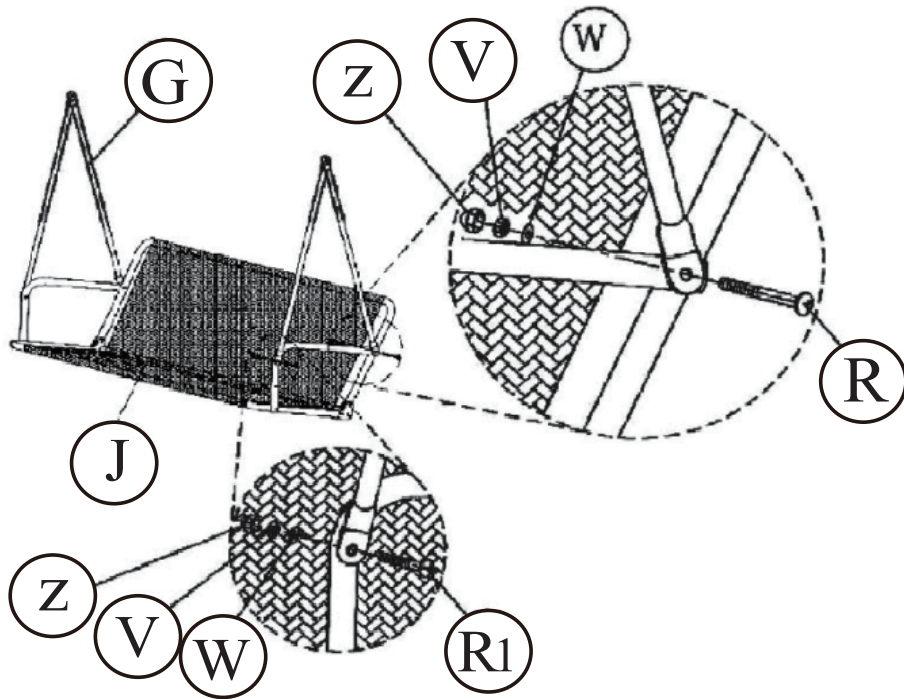


6



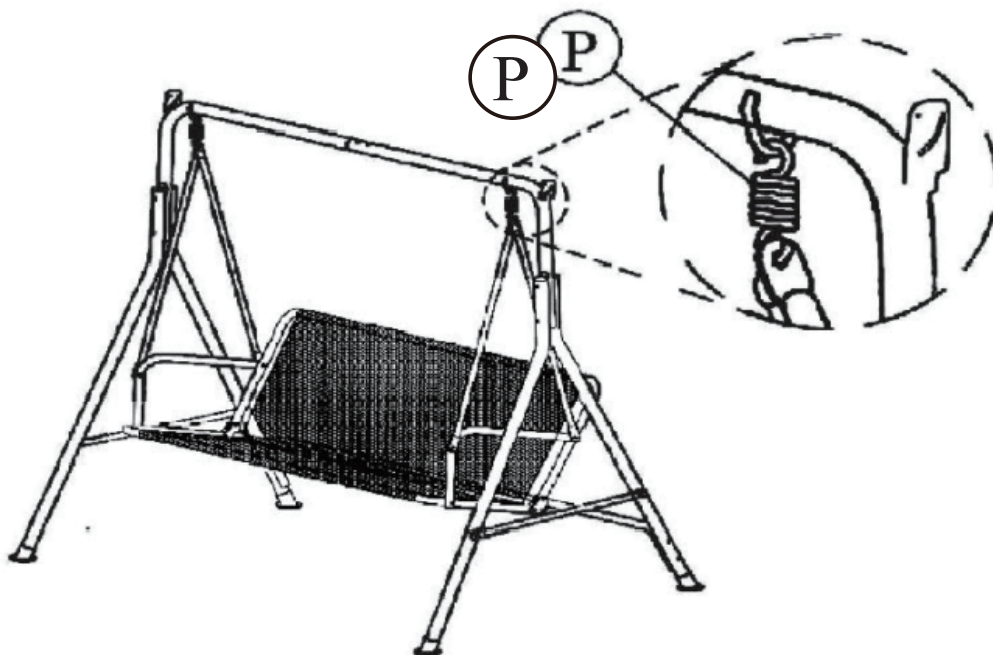
- I × 2
- J × 1
- R × 2
- W × 2
- V × 2
- Z × 2

7



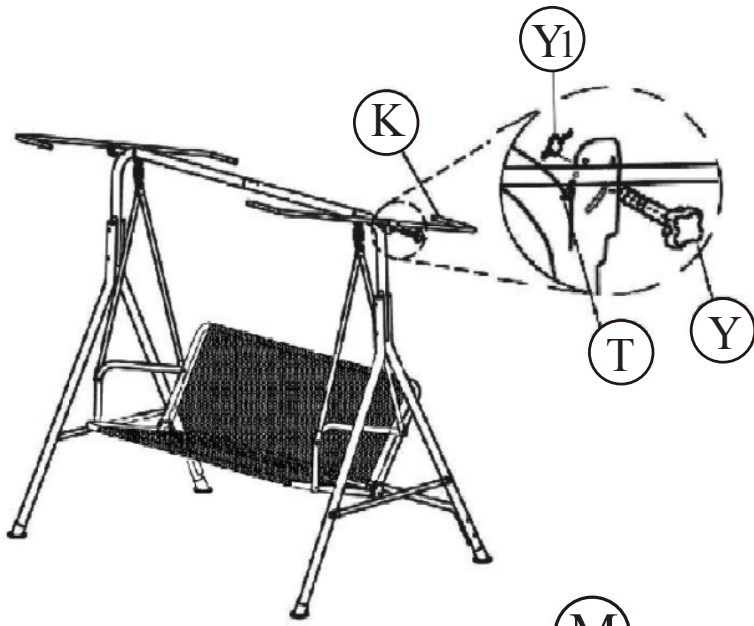
- G × 4
- R × 2
- R1 × 2
- W × 4
- V × 4
- Z × 4

8

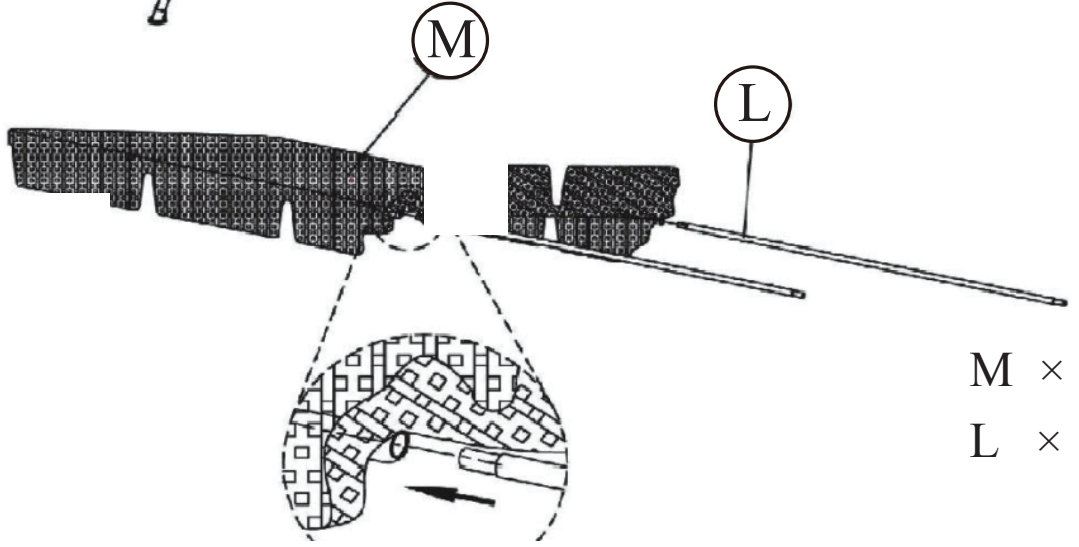


- P × 2

9

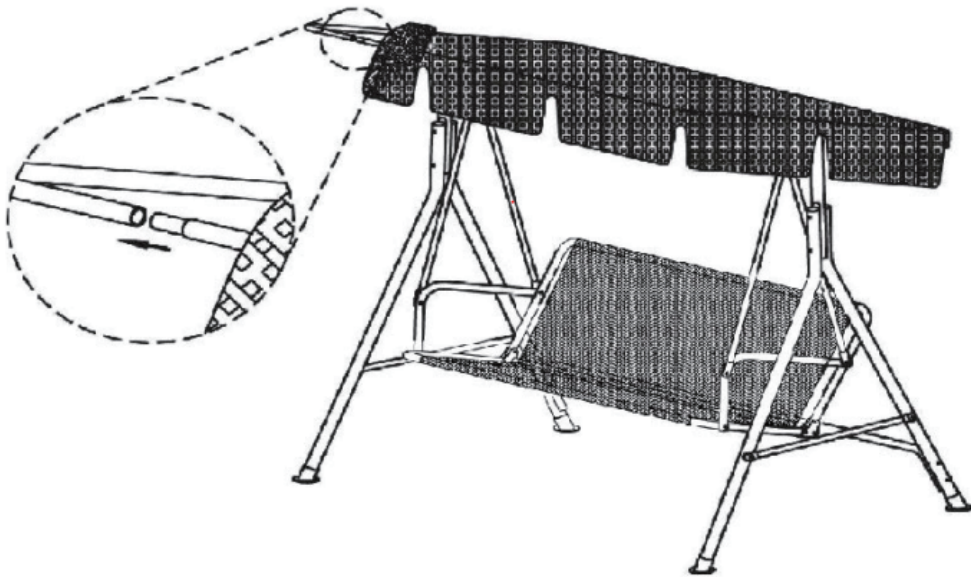


10

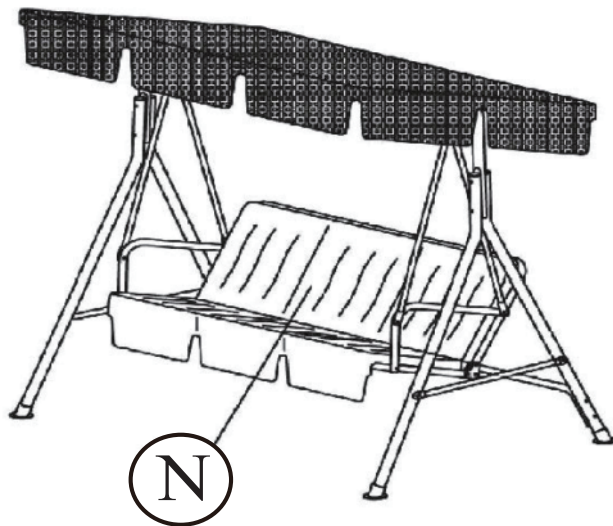


M × 1
L × 2

11



12



N × 1